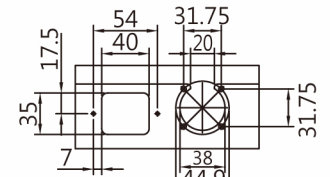
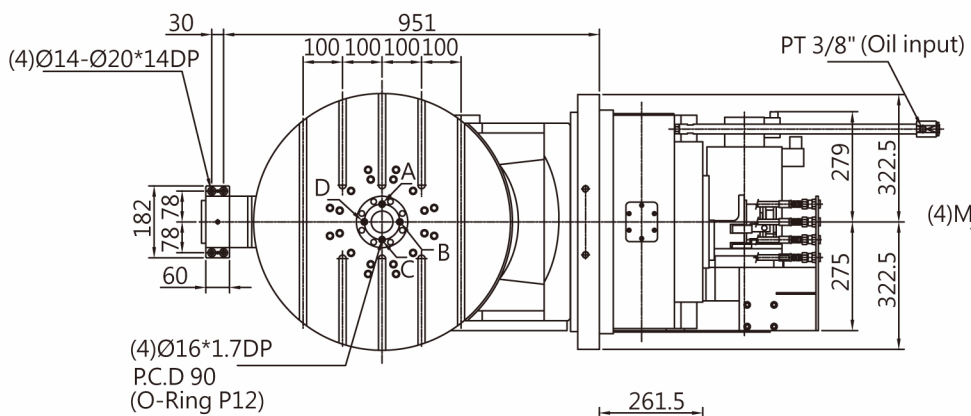
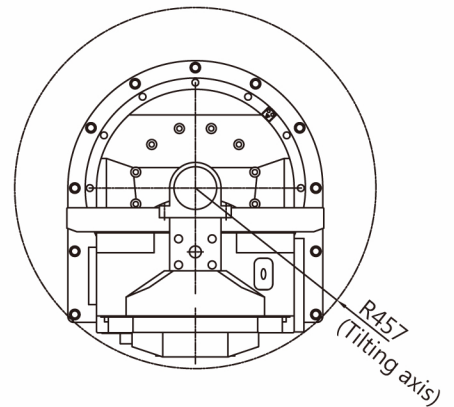
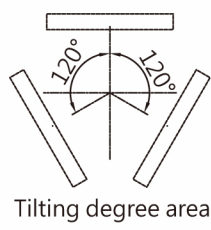
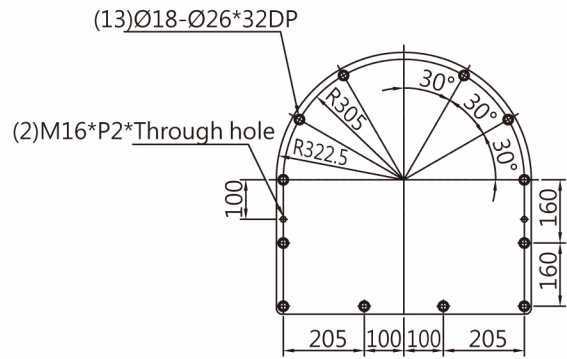




CNC 5 axis Rotary Tilting Tables ACL Series

ACL650



Wiring hole position diagram
 (4) Motor power and signal line (2) Clamp oil input (PH 3/8")

